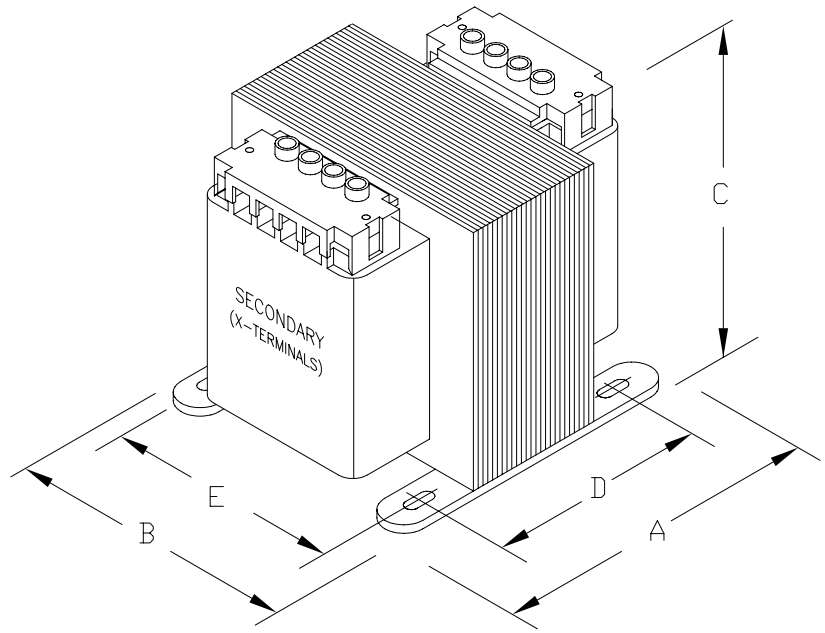


CONNECTION DIAGRAM



PROVIDED WITH SAFE TOUCH TERMINAL COVERS.
NO INTEGRAL FUSING CAPABILITY.

DIMENSIONS							APPROX. WT. LBS (KG)
	A	B	C	D	E	MTG. SLOTS	
INCHES (MM)	4.00 (102)	4.50 (114)	4.00 (102)	2.44 (62)	3.75 (95)	0.203X0.460 (5.1X11.7)	



CAT. NO. B150-2014-GAF		CONST. ENCAPSULATED				UL LISTED	
		MODEL GLOBALTRAN					
RATING							SP CERTIFIED
OUTPUT AMPS	6.25	PRIMARY V	240X480		TEMP. CLASS	HZ 50/60	
VA	150	SECONDARY V	24		130°C	REVISION G	
							CE IEC 61558